

# OCULOPLASTIK

## SCLERAL SHELL PRESS



oculoplastik.com

Get our instructions for use at [oculoplastik.com](http://oculoplastik.com).

It is suggested that the distance between the rubber and the mold be  $\frac{1}{2}$ " so that the handle travels as little as possible, and all can be done with one hand.

The use of a medicine cup to make your mold enables your mold to fit well over the base.



**OCULO-PLASTIK, Inc.**

200, rue Sauvé Ouest

Montréal, Québec H3L 1Y9 CANADA

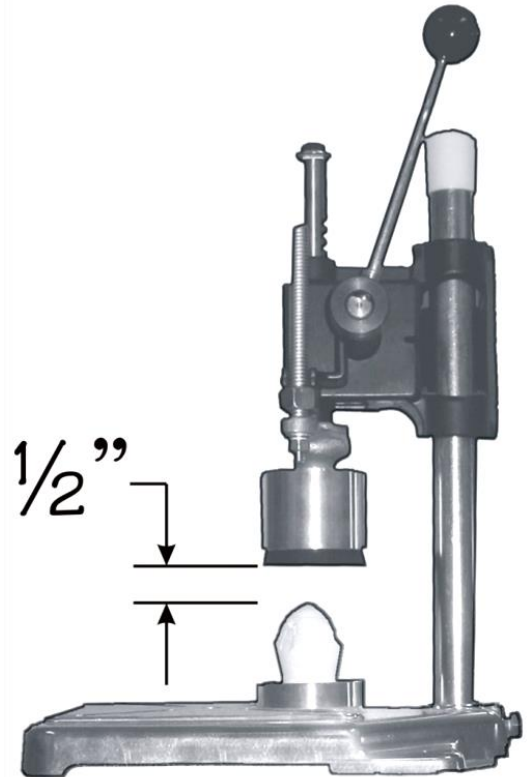


514 381-3292 • 1 888 381-3292



514 381-1164 • 1 800 879-1849

[sales@oculoplastik.com](mailto:sales@oculoplastik.com) [oculoplastik.com](http://oculoplastik.com)



IU29v2